



US00D808128S

(12) **United States Design Patent**
Blanchard

(10) **Patent No.:** **US D808,128 S**

(45) **Date of Patent:** **** Jan. 23, 2018**

(54) **ATHLETIC GARMENT**

(71) Applicant: **Robin Blanchard**, Mission Viejo, CA
(US)

(72) Inventor: **Robin Blanchard**, Mission Viejo, CA
(US)

(**) Term: **15 Years**

(21) Appl. No.: **29/573,382**

(22) Filed: **Aug. 4, 2016**

(51) **LOC (11) Cl.** **02-02**

(52) **U.S. Cl.**
USPC **D2/828; D2/731**

(58) **Field of Classification Search**
USPC D2/853, 728, 731, 716, 771, 791, 812,
D2/857, 759-760, 831, 828, 825; D3/285
CPC ... A41D 1/06; A41D 1/08; A41D 1/00; A41D
1/18; A41D 2300/50; A41D 2300/30;
A41D 2300/322; A41D 27/24; A41D
27/10; A41D 27/20; A41D 2600/104
See application file for complete search history.

(56) **References Cited**

U.S. PATENT DOCUMENTS

D294,305 S *	2/1988	Meek	2/94
D479,902 S *	9/2003	Brown	D2/831
D527,868 S *	9/2006	Wager	D2/828
D555,878 S *	11/2007	Bay	D2/828
D588,783 S *	3/2009	Olstorn	D2/828
D633,690 S *	3/2011	Tronvold	D2/828
D648,924 S *	11/2011	Propst	D2/828
D662,282 S *	6/2012	Meunier-Bouchard	D2/828
D679,072 S *	4/2013	Abbevik	D2/828
D714,525 S *	10/2014	Payne	D2/828
D736,497 S *	8/2015	Harris	D2/831
D739,646 S *	9/2015	Meguid	D2/831
D749,821 S *	2/2016	McClora	D2/828
D755,478 S *	5/2016	Grosbol	D2/828
D757,397 S *	5/2016	Huang	D2/828

D758,697 S *	6/2016	Clark	D2/828
D764,763 S *	8/2016	Criss	D2/828
D767,854 S *	10/2016	Trullinger	D2/828
D770,136 S *	11/2016	Darmour	D2/828
D783,233 S *	4/2017	Steel	D2/831
D783,944 S *	4/2017	Lomax	D2/829
D784,658 S *	4/2017	Adrovic	D2/731
D787,160 S *	5/2017	Crowe	D2/750
D789,042 S *	6/2017	Lomax	D2/831
D796,154 S *	9/2017	Schurr	D2/828
D796,790 S *	9/2017	Kositichiranant	D2/828
D799,161 S *	10/2017	Crowe	D2/828

(Continued)

Primary Examiner — Robin V Webster

Assistant Examiner — James C Thorn, Sr.

(74) *Attorney, Agent, or Firm* — Jafari Law Group, Inc.

(57) **CLAIM**

The ornamental design for an athletic garment, as shown and described.

DESCRIPTION

FIG. 1 illustrates a perspective view of the athletic garment showing the new design;

FIG. 2 illustrates a front view of one embodiment thereof;

FIG. 3 illustrates a back view thereof;

FIG. 4 illustrates a right-side view thereof;

FIG. 5 illustrates a left-side view thereof;

FIG. 6 illustrates a top view thereof;

FIG. 7 illustrates a bottom view thereof;

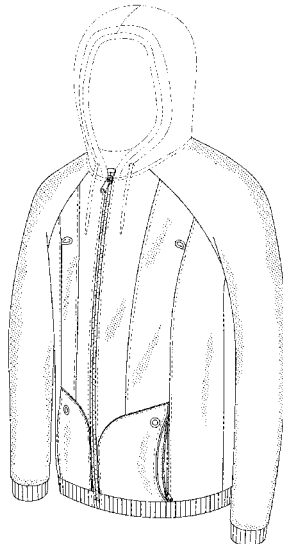
FIG. 8 illustrates a front view of another embodiment thereof; and,

FIG. 9 illustrates a left-side view of the embodiment shown in FIG. 8.

The broken lines shown in the drawings are included for the purpose of illustrating unclaimed portions and form no part of the claimed design.

The uniformly spaced broken lines on the surface of athletic garment, in FIGS. 1-9, represent stitching.

1 Claim, 6 Drawing Sheets



(56)

References Cited

U.S. PATENT DOCUMENTS

D799,794	S *	10/2017	Borovicka	D2/829
D800,419	S *	10/2017	Ingram	D2/728
D800,425	S *	10/2017	Schneider	D2/828
D801,007	S *	10/2017	Pezzimenti	D2/829
D801,639	S *	11/2017	Ingram	D2/831
2013/0219581	A1 *	8/2013	Schrimpf	A41D 27/20 2/69
2016/0295950	A1 *	10/2016	Schurr	

* cited by examiner

FIG. 1

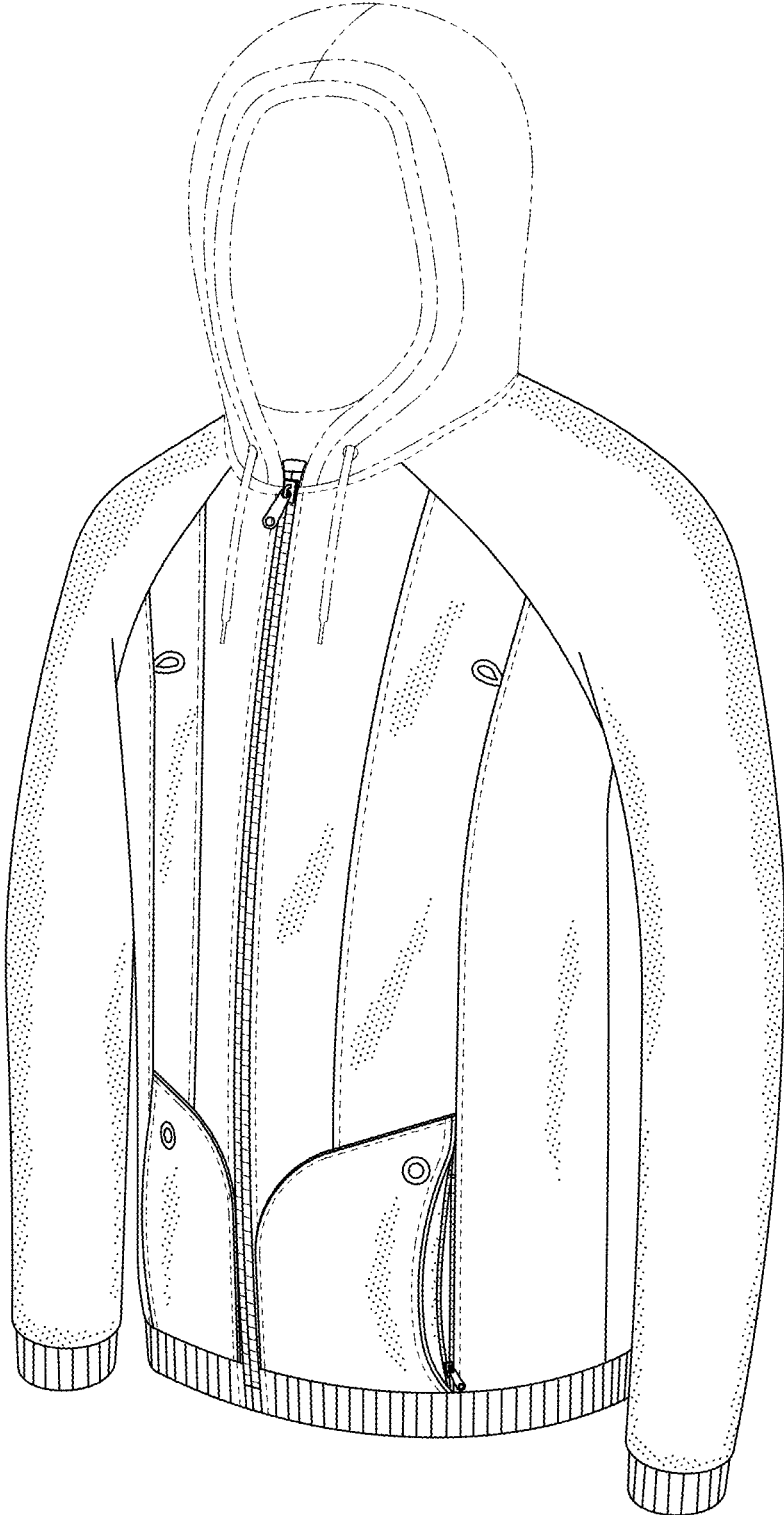


FIG. 2

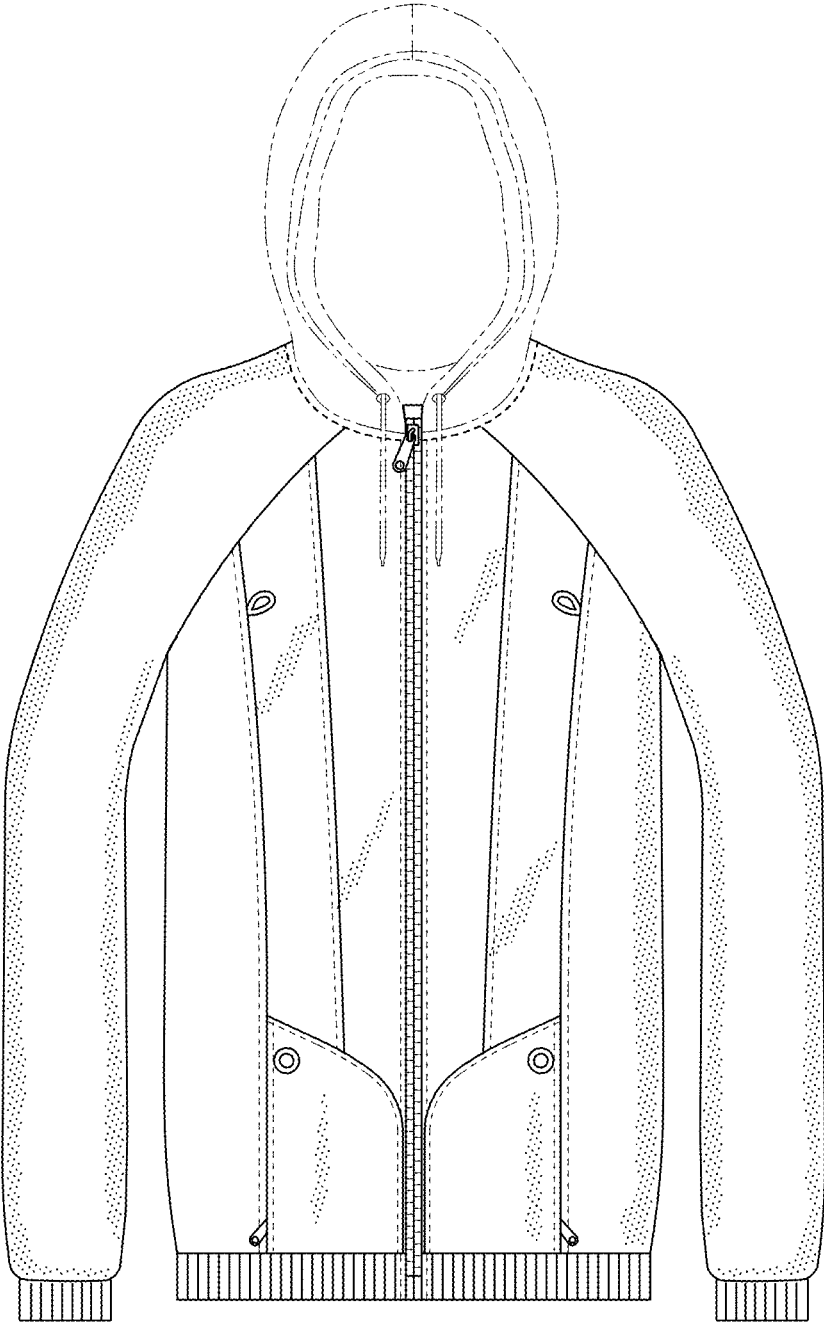


FIG. 3

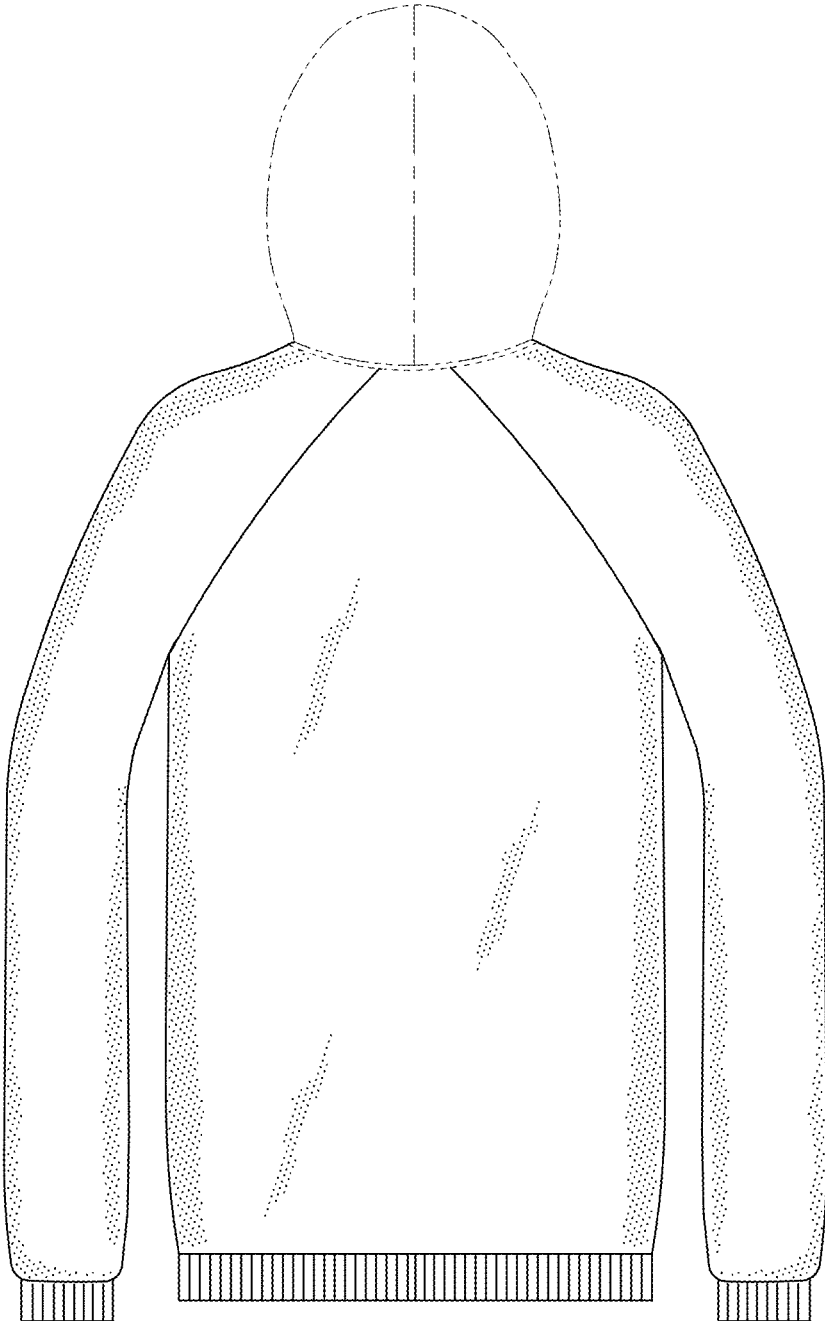


FIG. 4

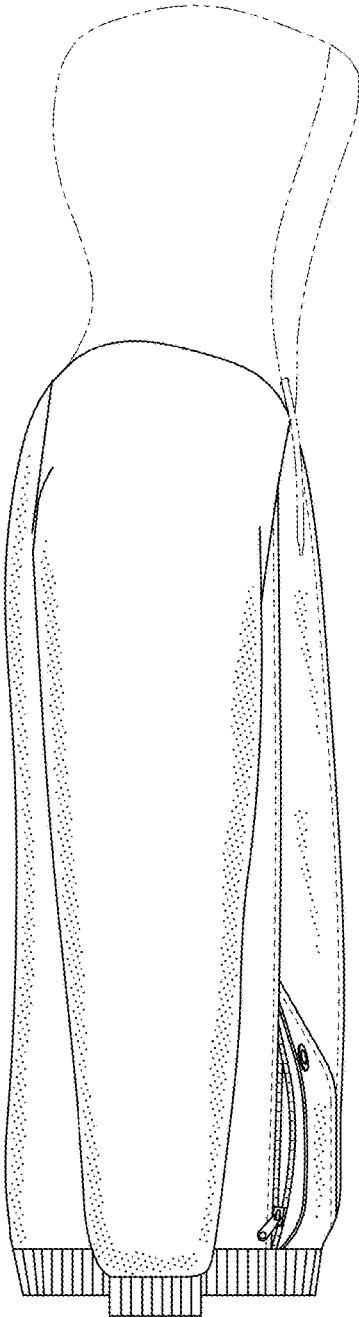


FIG. 5

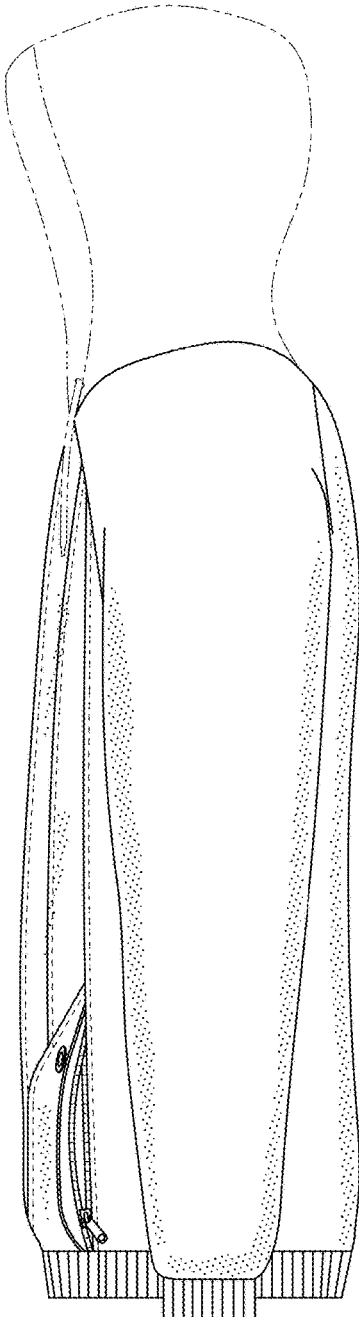


FIG. 6

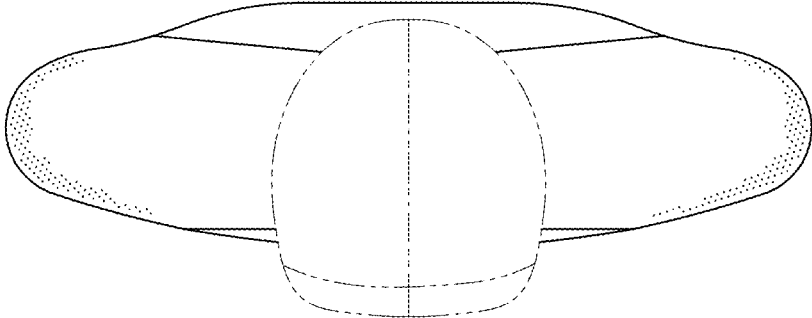


FIG. 7

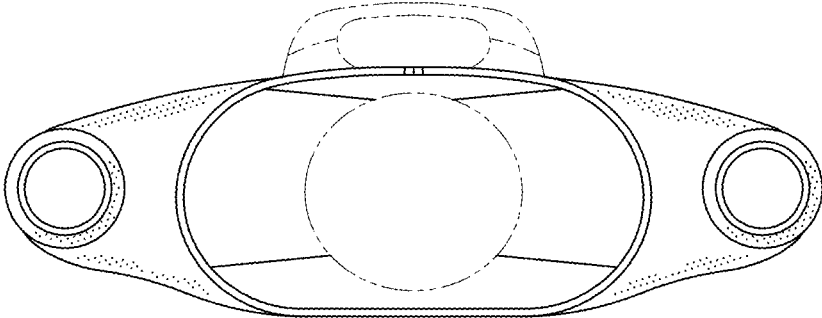


FIG. 8

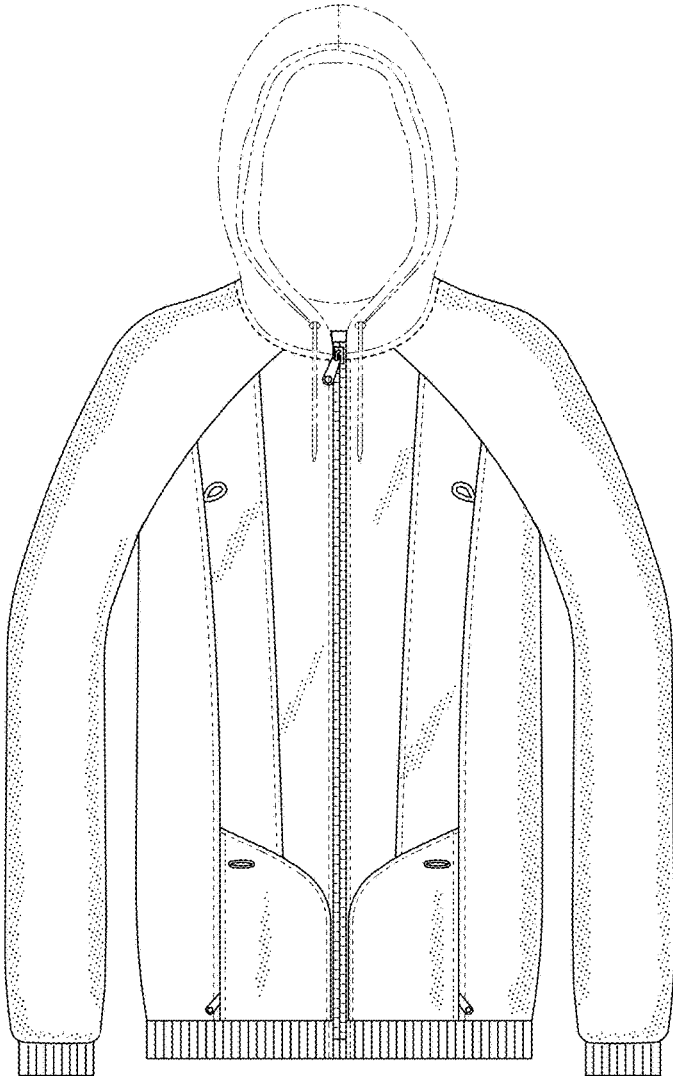


FIG. 9

